
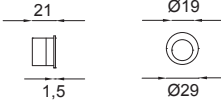

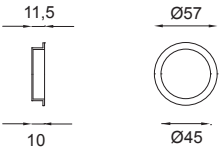

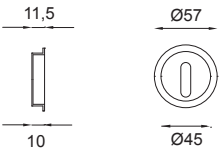

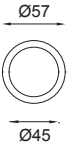

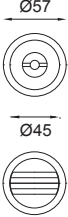


tonda

design: Dnd
technical division

Ottone
Solid brass



		2191 frontale per scorrevole <i>sliding door flush pull hole</i>
		2193 rosetta incasso <i>sliding door handle</i>
		2193/F rosetta incasso foro chiave <i>sliding door handle key hole</i>
		2193/S1 set rosette incasso con frontale <i>sliding door handle set with flush pull hole</i>
		2194/S set rosette incasso con nottolino q. 8 mm con frontale <i>sliding door handle set with turn and release 8 mm square spindle and flush pull hole</i>




tonda


design: Dnd
technical division

Ottone
Solid brass

	2193/SE107 set rosette incasso foro chiave con frontale + serratura <i>sliding door handle set key hole with flush pull hole + lock</i>
	2194/SE108 set rosette incasso con nottolino q.8 mm con frontale + serratura <i>sliding door handle set with turn and release 8 mm square spindle with flush pull hole + lock</i>



SE107



SE108

